



**Viva IML Tubes**  
viva-healthcare.com

Product Name: D25 Airless pump tube

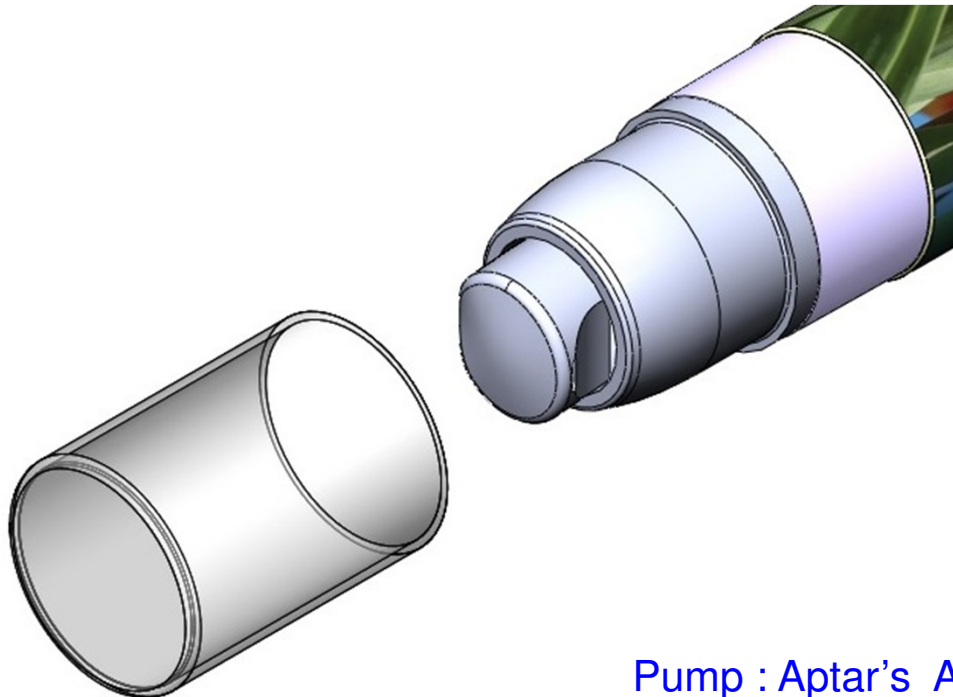
Designed by: V. Tsang

Prepared by: V. Tsang

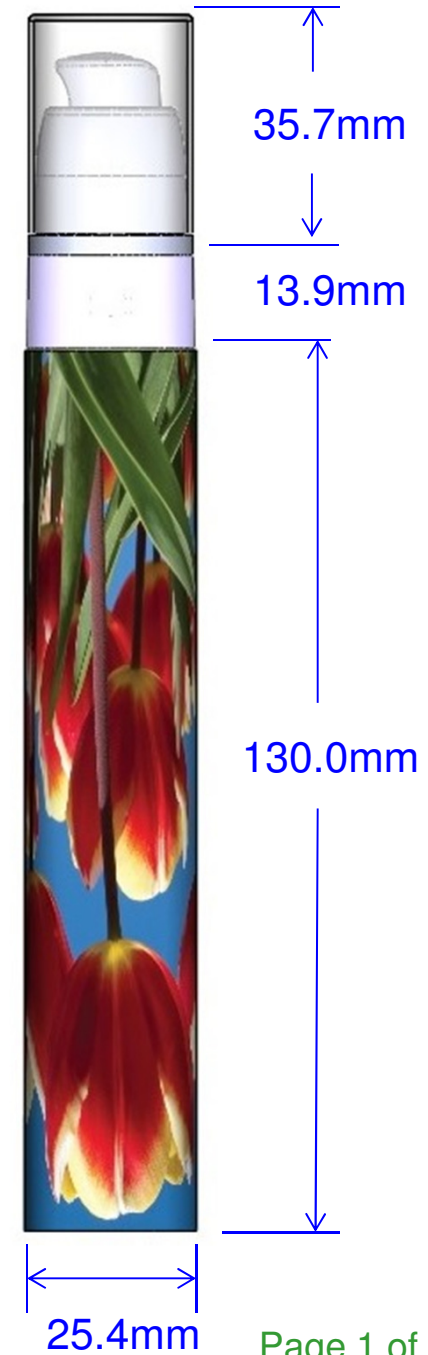
Material: PP

Date: 2016/11/30

Confidential : This product design is proprietary to Viva IML tubes. All rights reserved.



Pump : Aptar's Albion 15  
(Refer to page 5)





**Viva IML Tubes**  
viva-healthcare.com

Product Name: D35 Airless pump tube

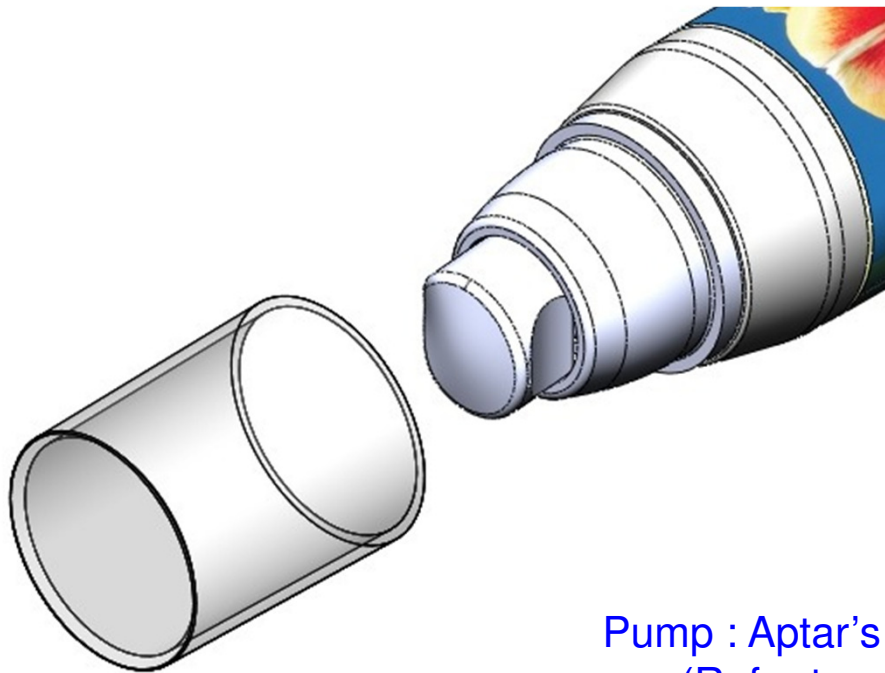
Designed by: V. Tsang

Prepared by: V. Tsang

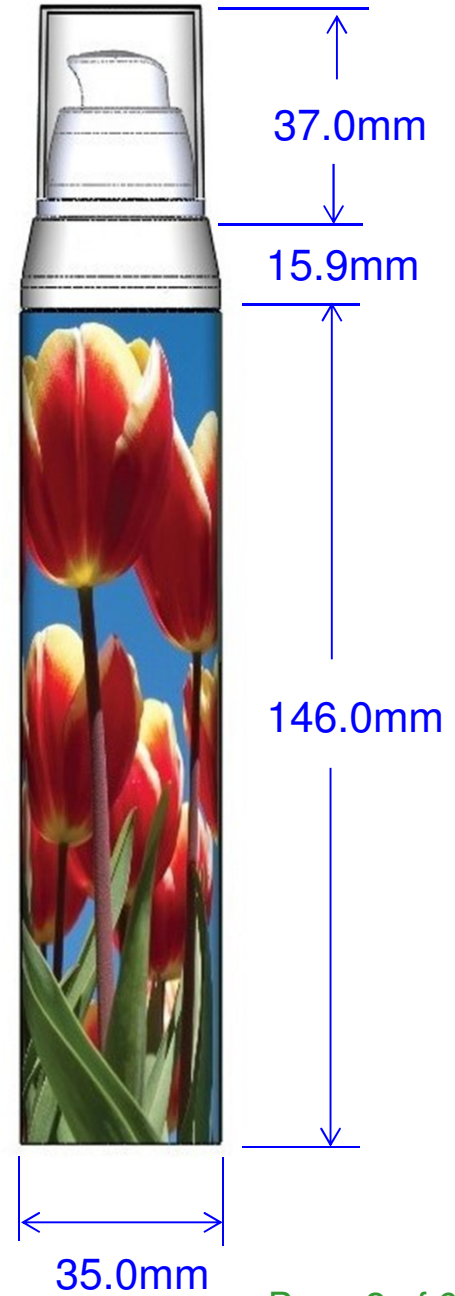
Material: PP

Date: 2016/11/30

Confidential : This product design is proprietary to Viva IML tubes. All rights reserved.



Pump : Aptar's Albion 30  
(Refer to page 6)





**Viva IML Tubes**  
viva-healthcare.com

Product Name: D38.5 Airless pump tube

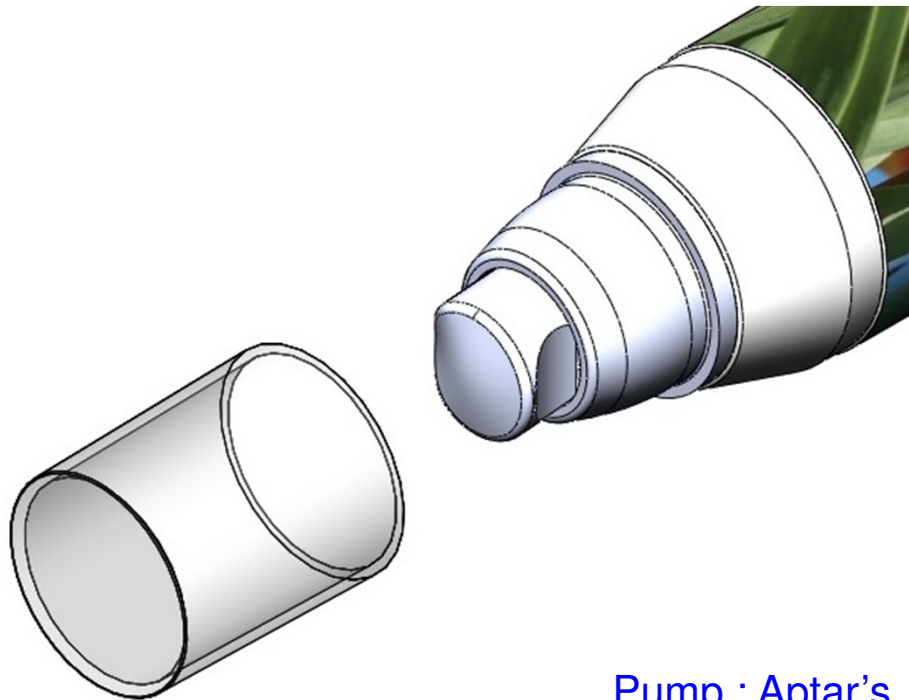
Designed by: V. Tsang

Prepared by: V. Tsang

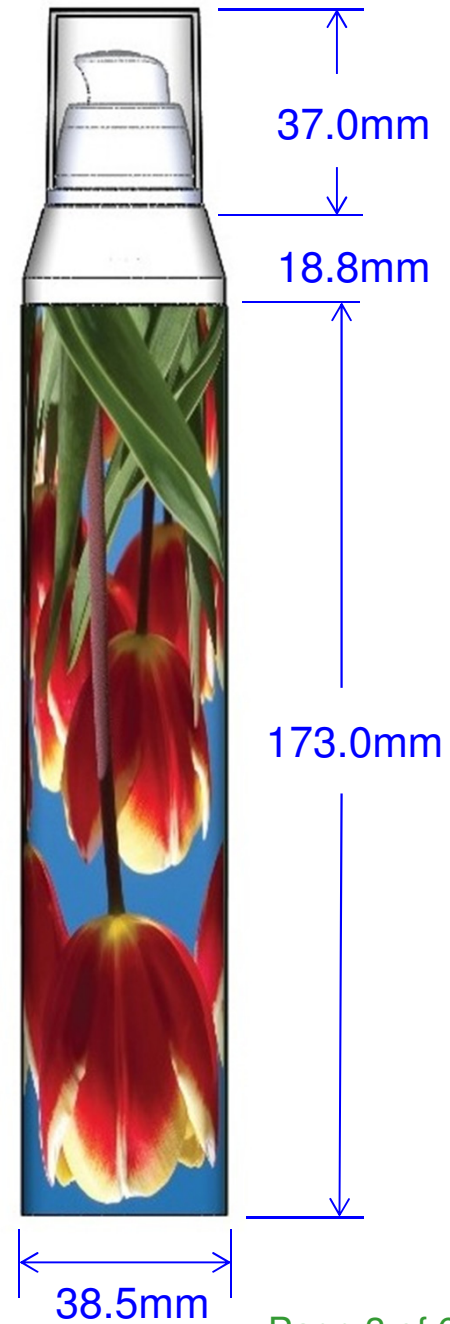
Material: PP

Date: 2016/11/30

Confidential : This product design is proprietary to Viva IML tubes. All rights reserved.



Pump : Aptar's Albion 30  
(Refer to page 6)





**Viva IML Tubes**  
viva-healthcare.com

Product Name: D48.5 Airless pump tube

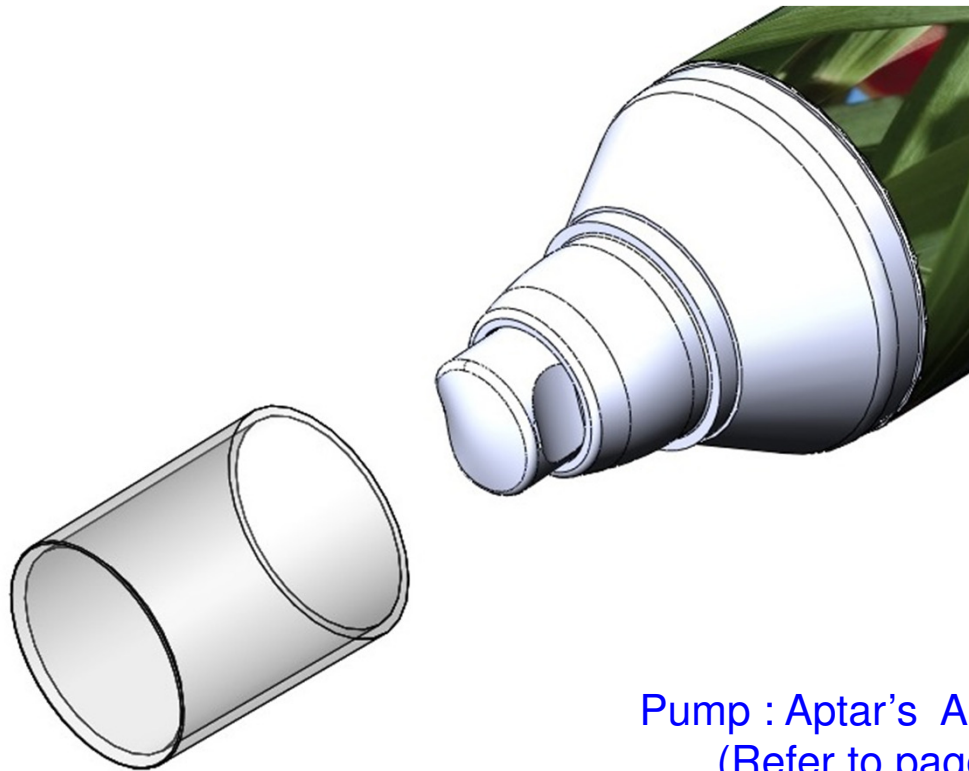
Designed by: V. Tsang

Prepared by: V. Tsang

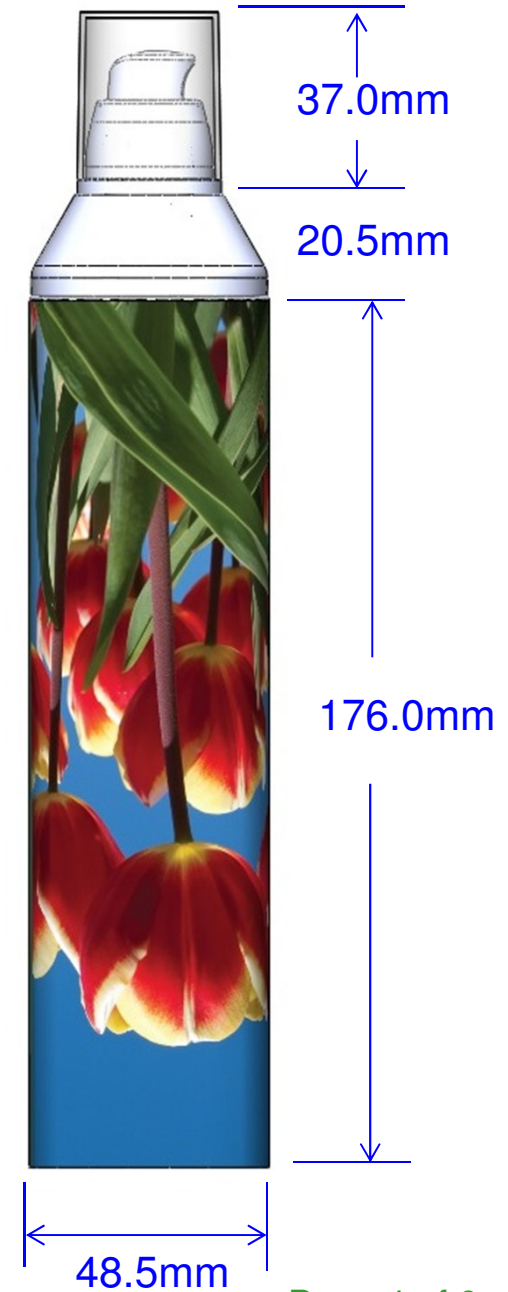
Material: PP

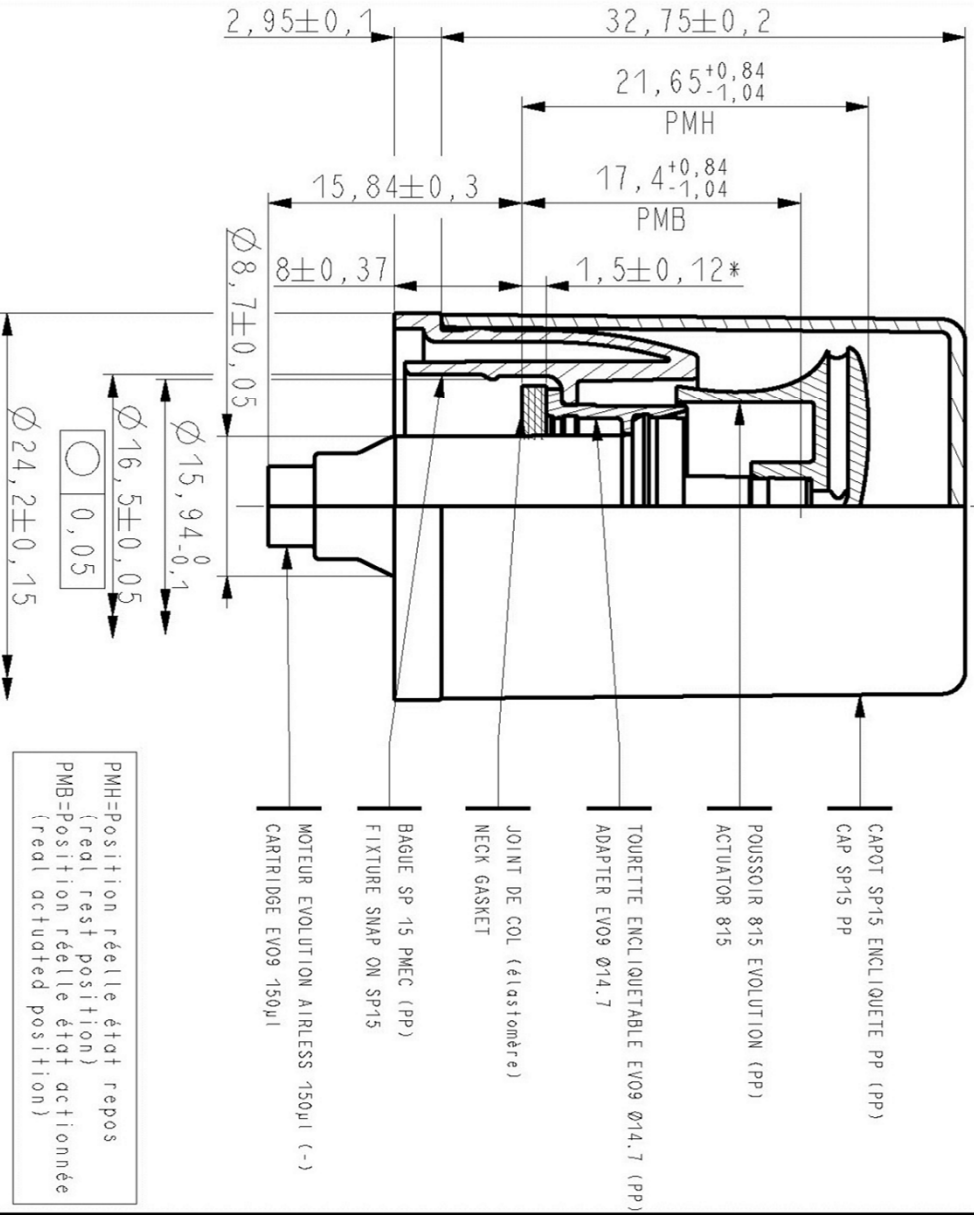
Date: 2016/11/30

Confidential : This product design is proprietary to Viva IML tubes. All rights reserved.



Pump : Aptar's Albion 30  
(Refer to page 6)





PMH=Position réelle état repos  
(real rest position)  
PMB=Position réelle état actionnée  
(real actuated position)

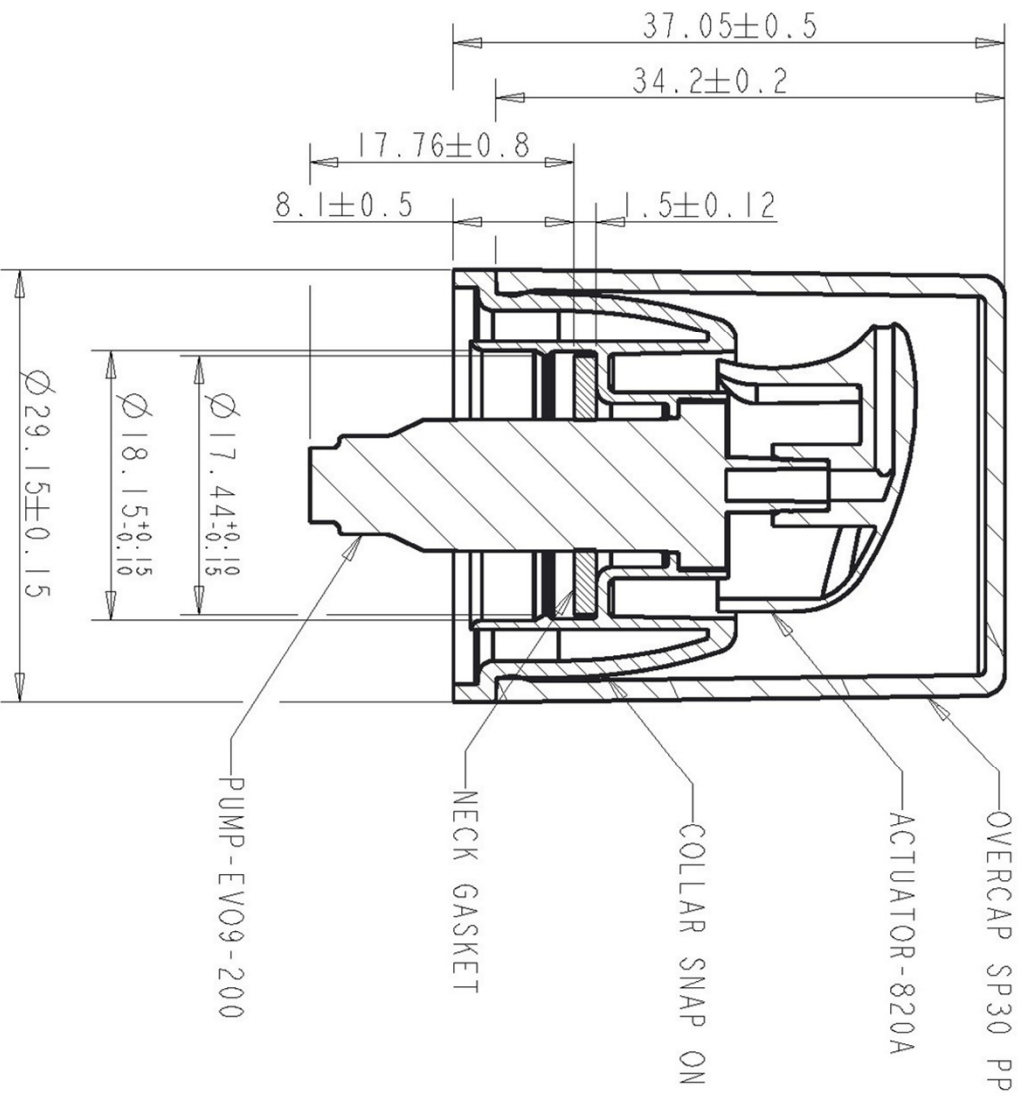
EFFORT ENCLIQUETABLE ASSEMBLY FORCE	40 Kg±10	TENUE AXIALE BAGUE/FUT AXIAL RETENTION FORCE SCREW ON/BARREL	10 Kg mini à T0 + 24H à 25°	JEU VERTICAL BAGUE / FUT VERTICAL SPACE SCREW ON/BARREL	0,35 MAXI
--	----------	---	--------------------------------	--	-----------

\* JOINT NON COMPRIME / NON COMPRESSED NECK GASKET PATENTED  
- Course réelle (déformations intégrées) = 4,25 (real stroke = 4,25)

22-Fev-13	F	DIFF N° 13068	JB
Date	Revision	Modification	Name
<b>Aptar</b>			
Drawing Class : PUMP_ASM			
Drawing Type : PRD		Format : A4	
Unit : mm		Scale : 2,5	
Qty : -		Rugosite Gen : -	
Tol Gen : -		Des. by	
Date		creation_date	
SR		Type	
Drawing Number		Rev Page	
C		94898 F 1	

S/E-EVOLUTION-SP15-PMEC-DOSE-150-PR-815-EVO-BRLT+CAP-TOP-PLAT  
PMP-EV09-150-BGE-SP15-PMEC+PR-815-EV-BRLT+CAP-TOP-PLAT  
PUMP\_ASM\_EVO-AIRLESS-150-SP15-ACTUATOR-815-EVO-CAP

This document and the information contained in it are the confidential property of Aptar France SAS and may not be disclosed, reproduced or submitted to any regulatory authority or to any third party without the prior written consent of Aptar France SAS. This document is to be returned to Aptar France SAS upon request. Aptar France SAS manufactures its products to meet standard specifications, and does not guarantee that its products meet other specifications not previously agreed upon in writing.



DATE	REV	Production
2015.10.01	A	New Build

**Aptar**  
Su Zhou

**APTAR CHINA B&H**

Qt  
Unit: mm  
Rugosität



Material :		Designer
Traitement :		Raul Ye
Finition :		Checked by
		Pine.Pan
EV09/200 SP30 PR.820A BRIGHT+CAP TOP FLAT FLAT		Type
		Code.
		Ind
		Page
		CST
		SUZ2-C15033
		1/1

Unmarked tolerance: Angle  $\pm 0.5^\circ$ ,  
Line:  $\pm 0.2$